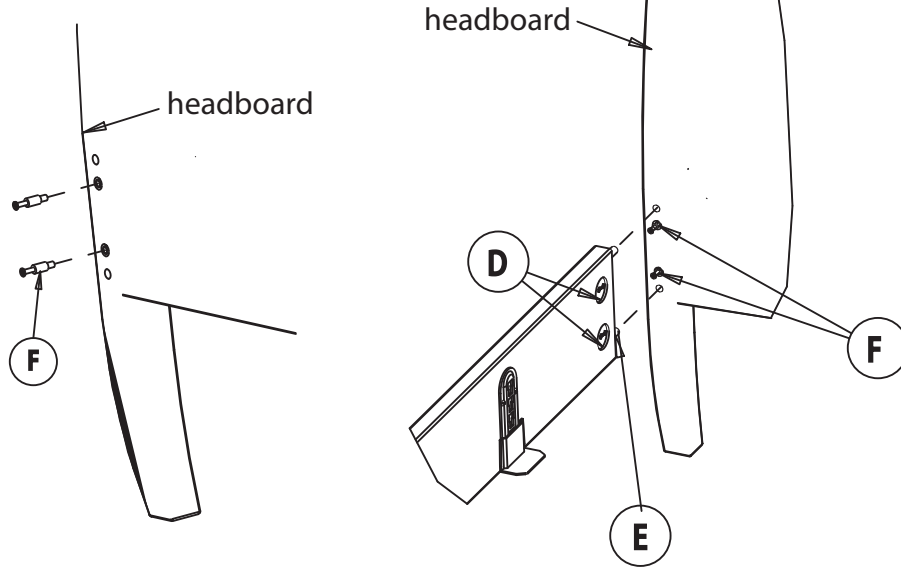


General Frame Assembly

Step **1**

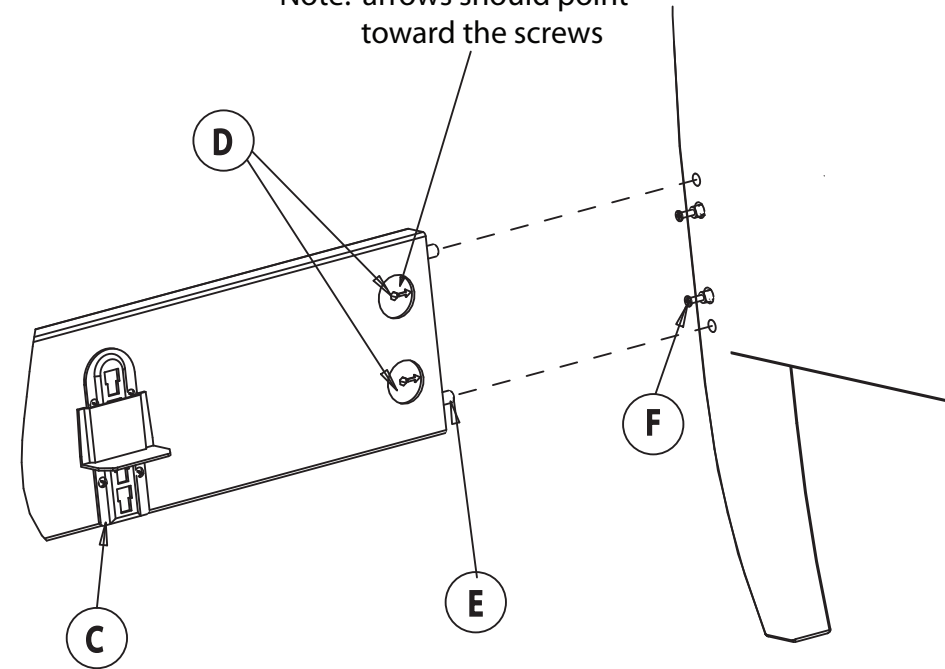
Connect headboard & sideboard

****Tip:** Place headboard flat on floor and attach



Detailed Drawing:

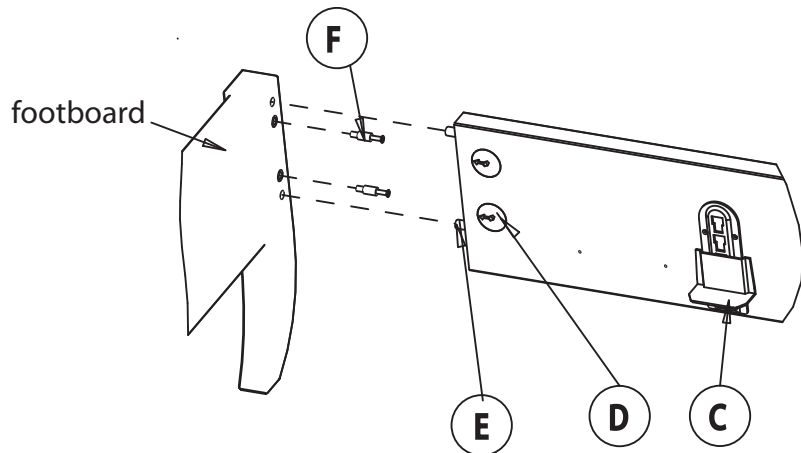
Note: arrows should point toward the screws



Step **2**

Connect footboard

****** If the headboard was layed flat on the floor, lower the assembly back down to attach the footboard.



Step **3**

Attach legs to frames (for bed frames with separate legs)

****** Do not screw in foot at this point until all B & A are attached to the frame

