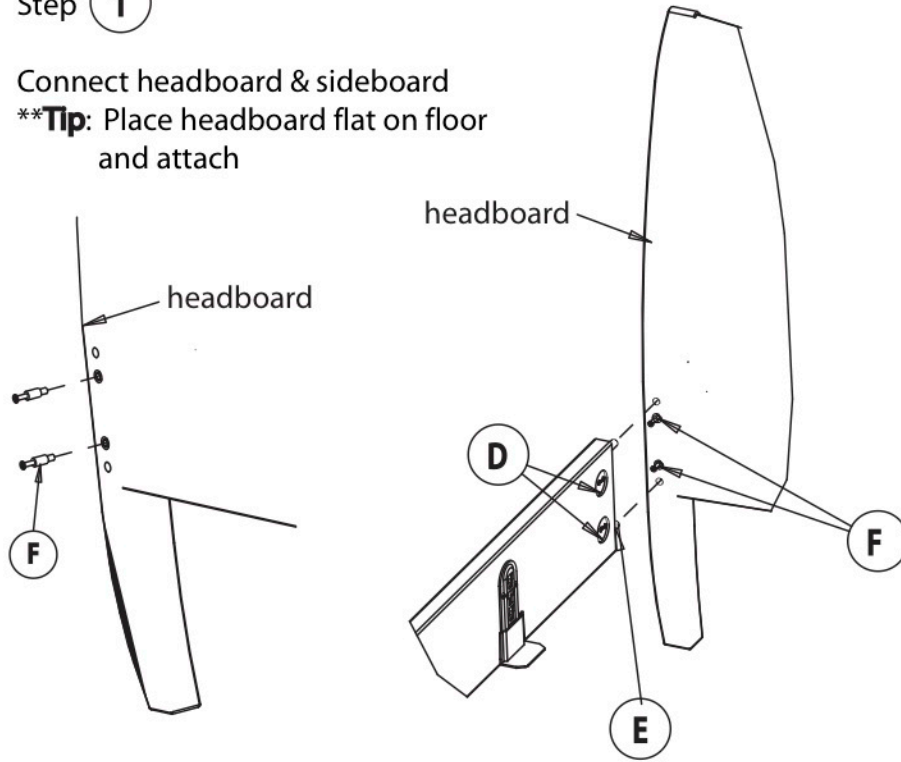


General Frame Assembly

Step 1

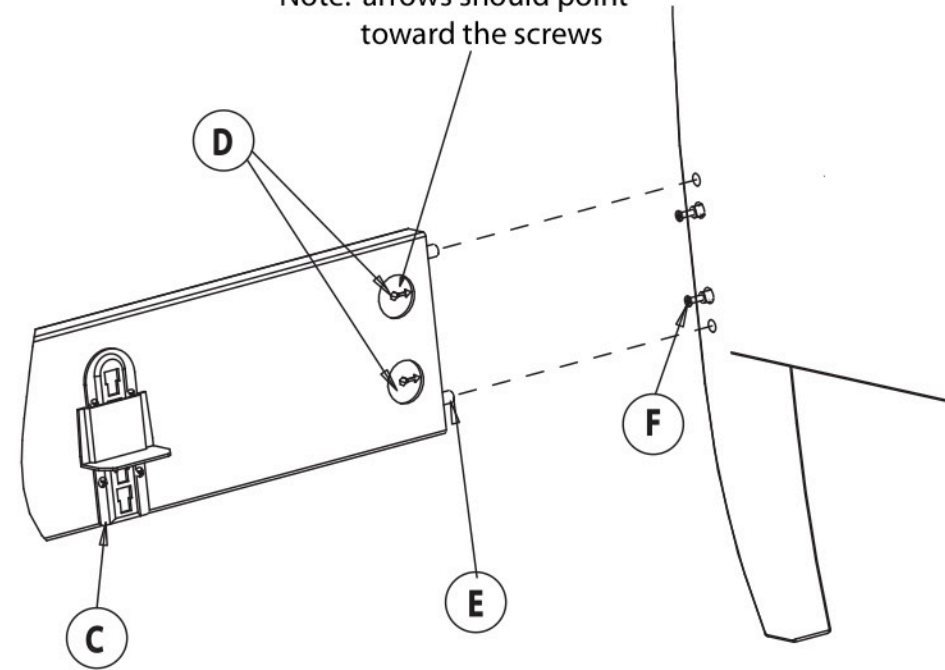
Connect headboard & sideboard

****Tip:** Place headboard flat on floor and attach



Detailed Drawing:

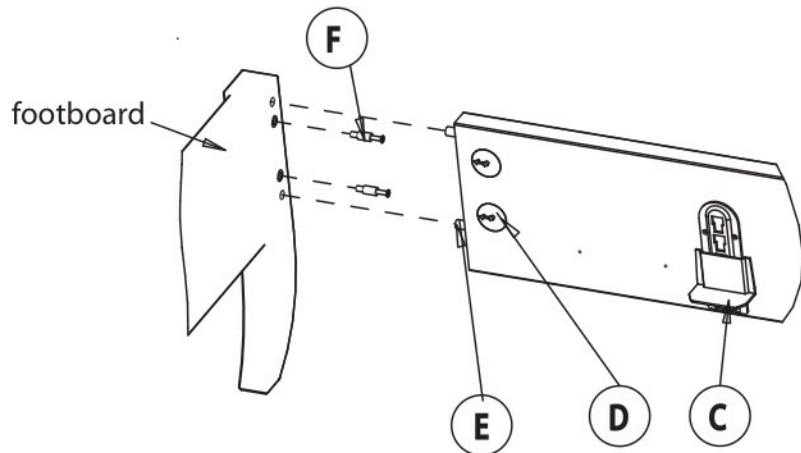
Note: arrows should point toward the screws



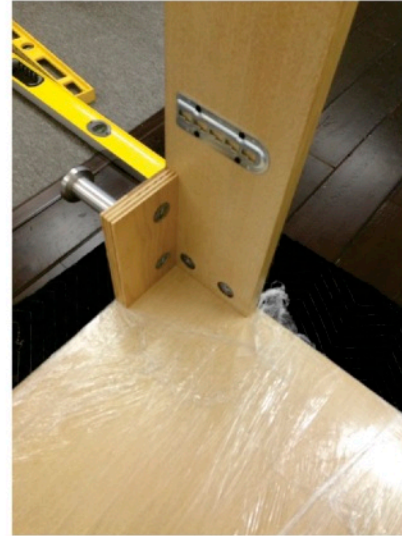
Step 2

Connect footboard

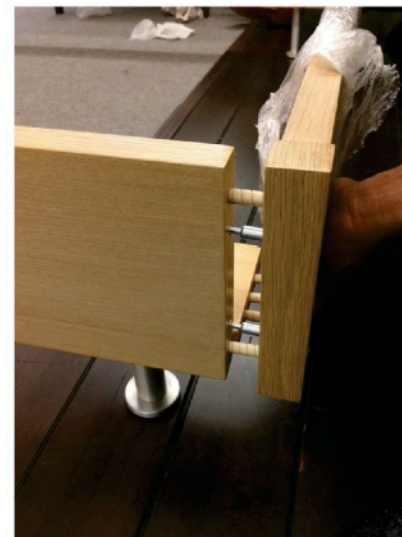
**** If the headboard was layed flat on the floor, lower the assembly back down to attach the footboard.**



Step **3** Attach corner bracket to the headboard and sideboard by connecting the dowels and turning the round lock.

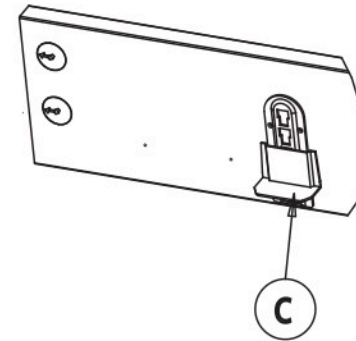


Step **4** Attach corner bracket to the sideboards and footboard by connecting the dowels and turning the round lock.



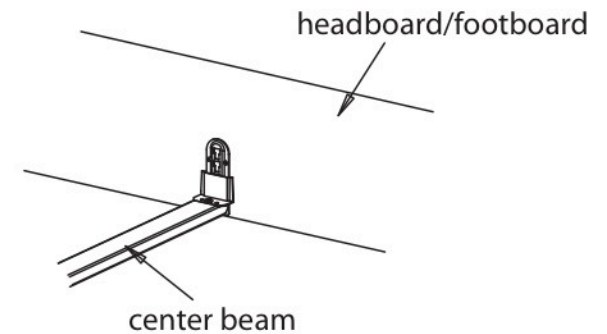
Step 5

Attach all support clip (bracket) to frame and select appropriate height



Step 6

Follow Center Beam with Foot Assembly Page to assemble center beam and attach to frame.



Step 7

** If using an AxelBloom bedframe:

Use a flat head screwdriver to remove the protective rubber ends on bed slat.

Place slat bed base on the support clips & center beam.

Note: No screws are needed to be used to attach slat bed base to bed frame.

If you have an adjustable foot and head section, attach the mattress foot and side stopper.

Step 8

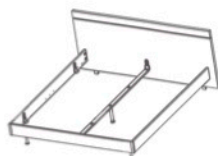
Place mattress on slat bed bases. Either sides are acceptable, except for the DW600 & the Austroflex.



scaleo



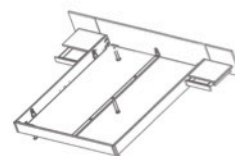
varo



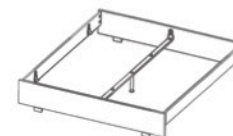
luma/legra



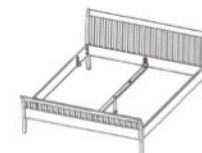
piolo



casa



piedi



allora



linus