

axelbloom

BED DESIGN AND INSTALLATION GUIDE



AXEL BLOOM SLEEP SYSTEM INSTALLATION OPTIONS

I THE CLEAN EUROPEAN LOOK

Bed system on wooden feet with cross beams. This is a “Stand-Alone” option.

Mattress



Bed Suspension



Bed System



AXEL BLOOM SLEEP SYSTEM INSTALLATION OPTIONS

2

DROP-IN SUSPENSION

Bed system is on its own feet within a bed frame.

Bed Suspension on
its own Feet and
Cross Beams



Suspension on Feet and
Cross Beam inside a
Bed Frame
(wooden legs showing)



Bed System in
Bed Frame



AXEL BLOOM SLEEP SYSTEM INSTALLATION OPTIONS

3

FITTING AXEL BLOOM SUSPENSION INTO AN EXISTING BED FRAME

If you wish to keep your existing bed frame, you may do so by placing our open-air suspension within it.

Existing
Bed Frame with
Center Beam and
Ledges



Suspension placed
inside existing
Bed Frame



Mattress on top of
Suspension with
Bed Frame



Complete
Bed System



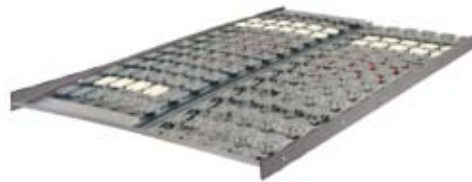
AXEL BLOOM SLEEP SYSTEM INSTALLATION OPTIONS

4

FITTING AXEL BLOOM SUSPENSION ONTO A BOX SPRING

If you want to keep your box spring, you may place our open-air suspension on top of the box spring. The mattress is then placed on top of the suspension.

Bed Suspension



Box Spring



Suspension placed
on top of existing
Box Spring

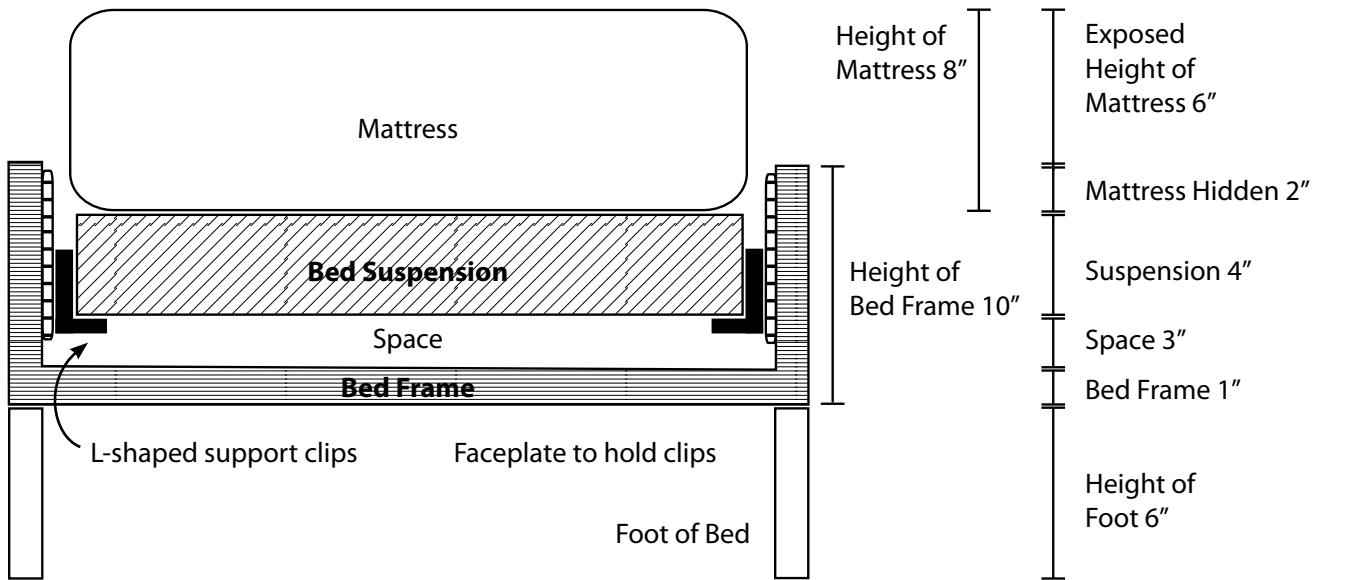


Mattresses and
Suspension on
Box Spring



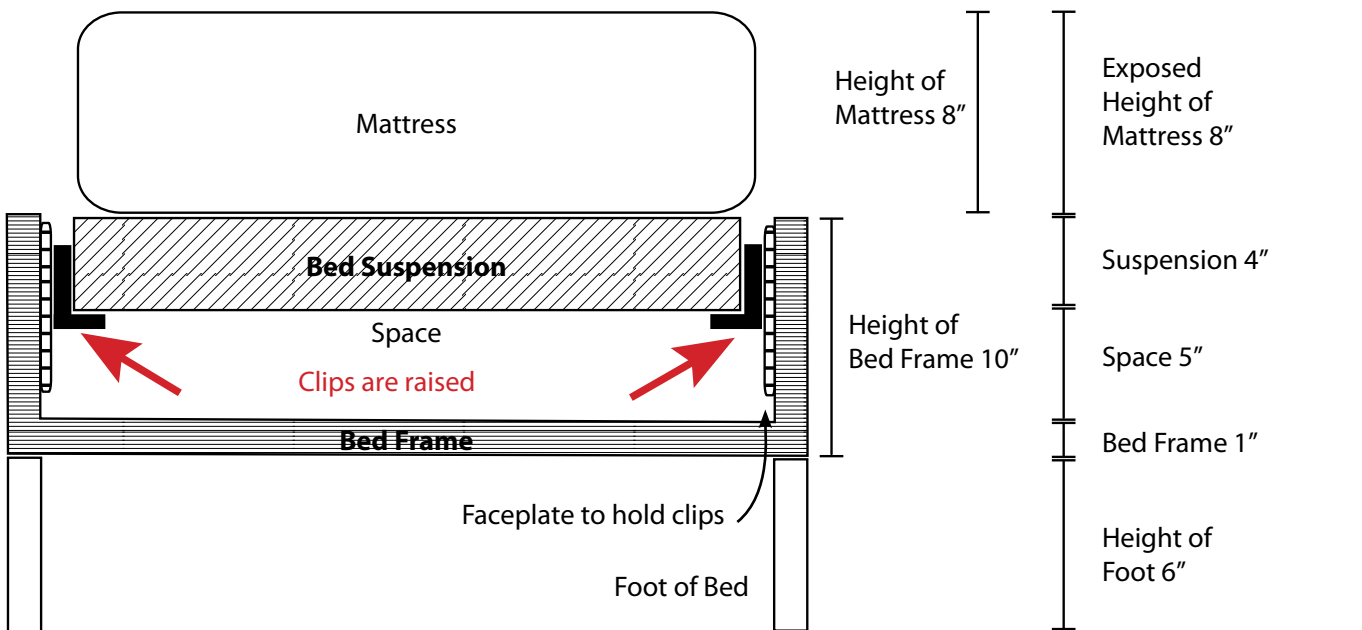
WHAT AFFECTS THE HEIGHT OF YOUR MATTRESS?

TOTAL HEIGHT TO TOP OF MATTRESS = 22"



* Figure is for demonstration purposes only and is not drawn to scale

TOTAL HEIGHT TO TOP OF MATTRESS = 24"

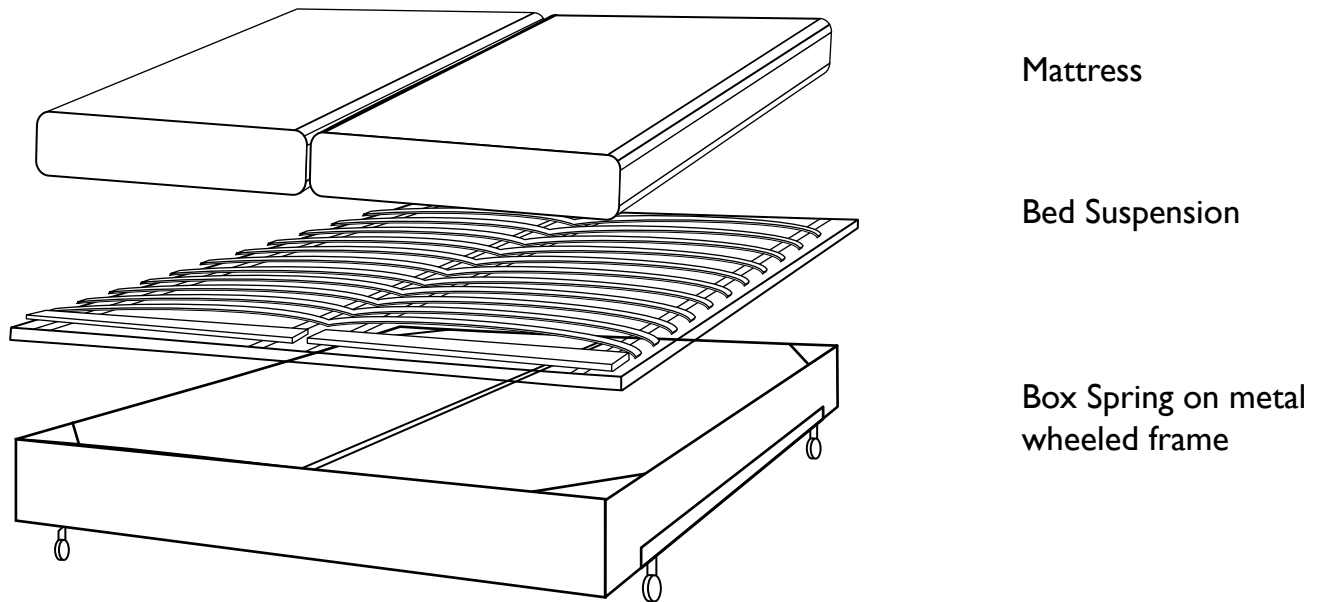


* Figure is for demonstration purposes only and is not drawn to scale

INSTALLATION ON EXISTING BOX SPRING

I. INSTALL AXEL BLOOM'S SUSPENSION AND MATTRESS ONTO YOUR EXISTING BOX SPRING

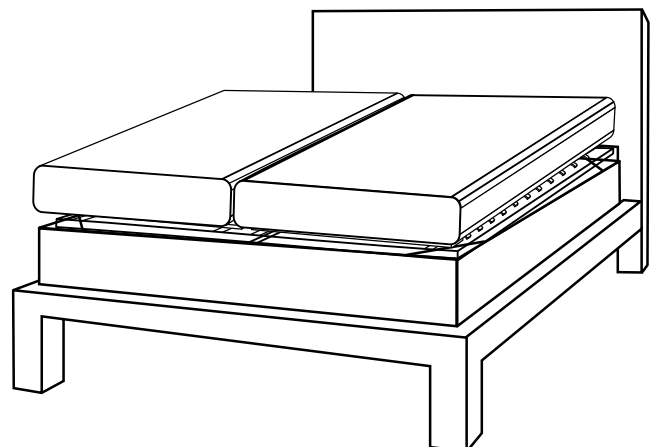
If you have a coil-spring mattress with a box spring, you can remove your mattress and place our suspension on top of a box spring. The mattress is then placed on top of the suspension.



Usually the height of our bed suspension plus our mattress equals the height of a coil-spring mattress (9-14 inches). Therefore, by replacing an existing mattress with the Axel Blood Bed Suspension and Mattress, the overall height will be the same.

Note: Some adjustable systems may need more clearance room under the suspension. Please contact us before purchasing.

Example of bed system on existing box spring and bed frame

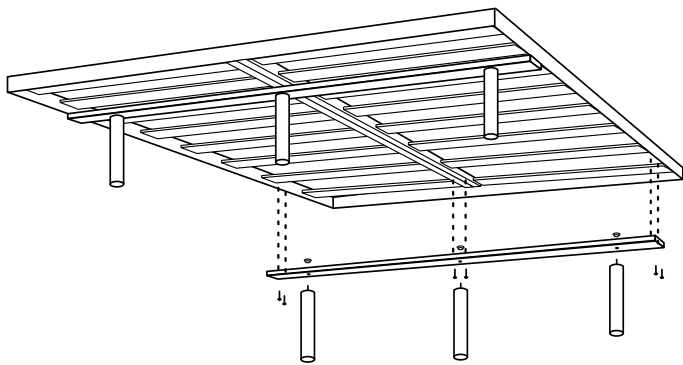


INSTALLATION WITHOUT A BOX SPRING

2. INSTALL AXEL BLOOM'S SUSPENSION WITHOUT A BOX SPRING

If you wish to remove the coil-spring mattress and box-spring, you can replace them with our suspension in several ways. These three options may be used with **flat** and **adjustable** suspensions.

Option A: Stand Alone Suspension with Feet



Underside of Suspension with Cross Beams and Feet attached

Install the **Feet and Cross Beams** to the underside of the suspension.

This option can be used by itself, such as a “**Stand-Alone**” suspension, or can be “**Dropped-Into**” an existing bed frame.

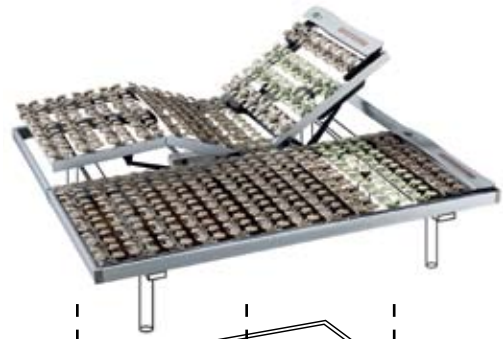
Axel Bloom feet come in different heights. Please check that the height of the suspension from the floor is not exposed when placed within the existing bed frame. In addition, the feet will alter the overall height of the mattress. Please inform us how high you prefer the mattress top to be so that we can select the correct feet for your bed.



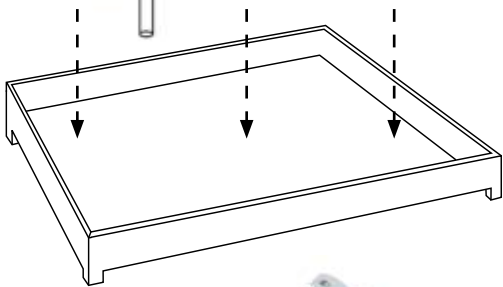
Example of an Axle Bloom suspension attached to Cross Beams and Feet

This is the **Stand-Alone** option

INSTALLATION WITHOUT A BOX SPRING



Axel loom Suspension attached to Cross Beams and Feet



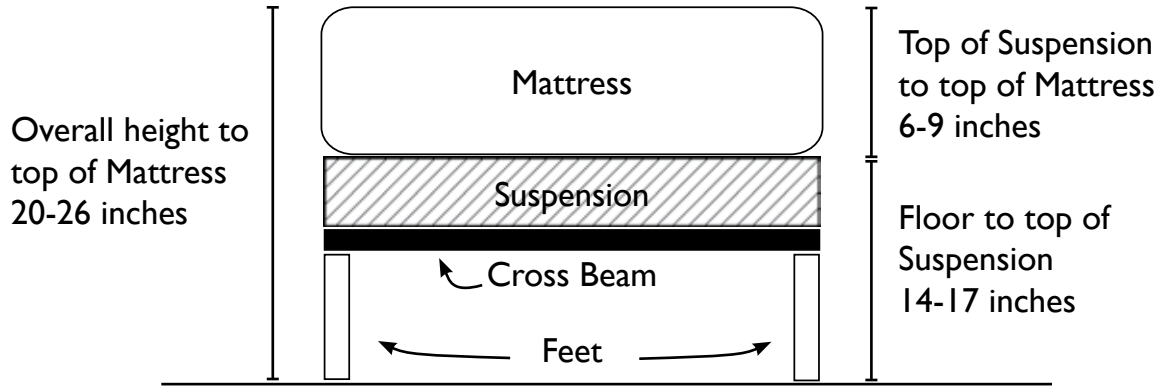
Suspension **Dropped-Into** a Bed Frame



Suspension with Cross Beams and Feet inside a bed frame

NOTE: The Bed Frame is **not** supporting the suspension

Typically, our bed base with out feet installed is 14-17 inches from the floor. If the mattress is 6-9 inches thick, then the overall height with the mattress would be 20-26 inches from the floor.

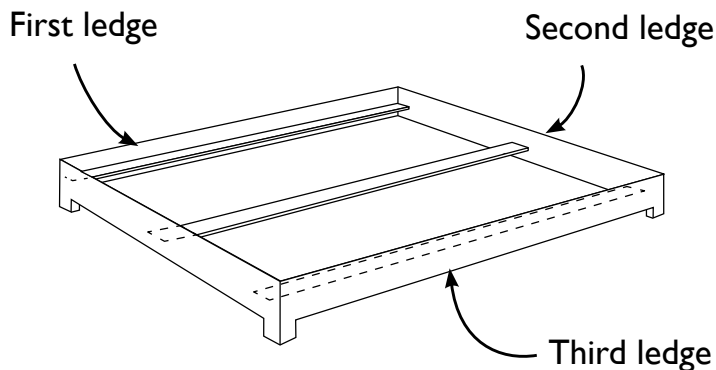


INSTALLATION WITHOUT A BOX SPRING

Option B: Bed Frame with Ledges

If you wish to install our bed base without the feet, you may do so by supporting the sides of the suspension with existing ledges of your current frame, or you may add ledges to a frame.

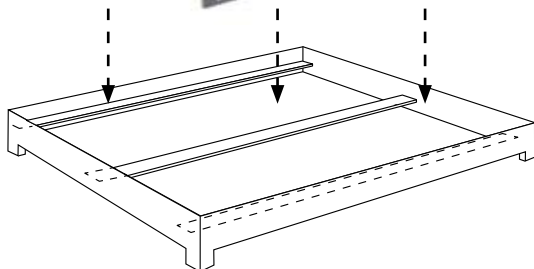
NOTE: Axel Bloom bed frames do not come with ledges. Only with Faceplates and L-clips.



Install ledges. Then place the adjustable system to sit on top of the ledges.



Example of an Axel Bloom Suspension
It is currently not supported by a bed frame



Place the Suspension on top of ledges



Finished look of Suspension resting on top of ledges

INSTALLATION WITHOUT A BOX SPRING

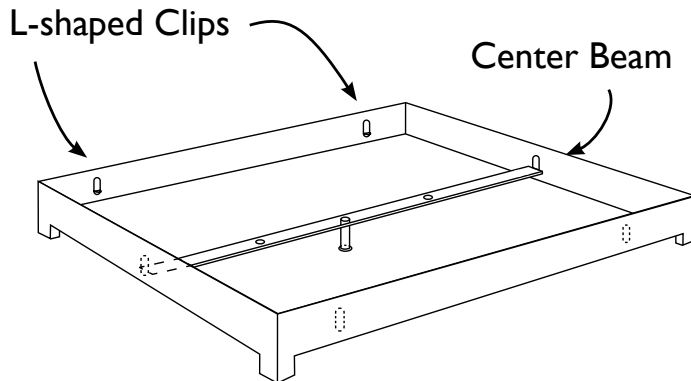
Option C: Bed Frame with Suspension Support Kit

An alternative to ledges is the Axel Bloom Suspension Support Kit. This Kit may be attached to an existing bed frame.

DO NOT USE the Kit in combination with ledges. Choose one or the other.

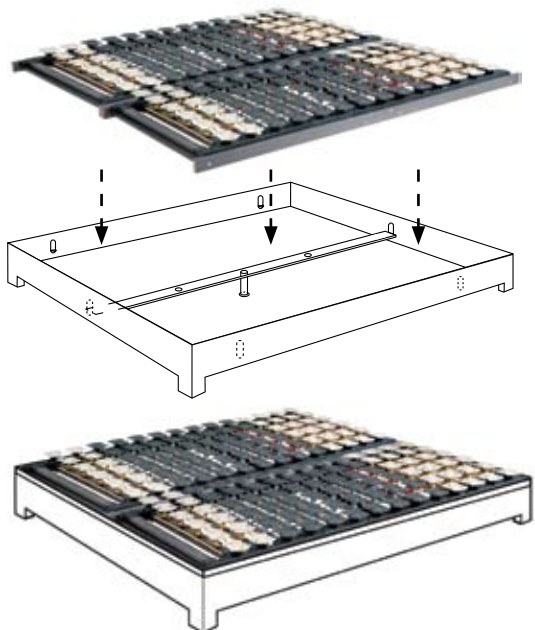
NOTE: All new Axel Bloom Bed Frame purchases include a Suspension Support Kit. The kit may also be purchased separately.

The Suspension Support Kit can raise or lower the bed base up to 3 inches by moving the L-shaped support clips up or down.



SUSPENSION SUPPORT KIT INCLUDES:

- **Four** L-shaped Adjustable support clips with face plates. Screws are included.
- **One** center beam with two clips and faceplates to anchor the beam to the head and foot section. Screws are included.
- **One** height-adjustable plastic support foot.



Example of an Axel Bloom Suspension
It is currently not supported by a bed frame

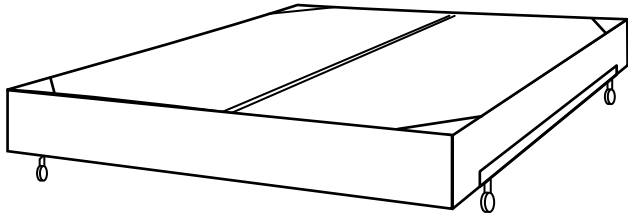
Rest the Suspension on top of L-clips and
Center Beam

Finished look of Suspension within Bed
Frame

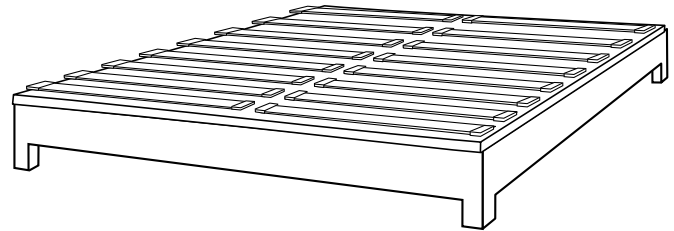
ADJUSTABLE BED INSTALLATION OPTIONS

INSTALLATION FOR SILVERSTAR AND QUATTROFLEX SUSPENSIONS

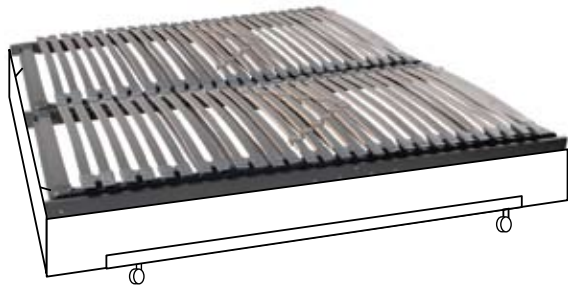
Box Spring with Steel Frame



Bed Frame with Slats

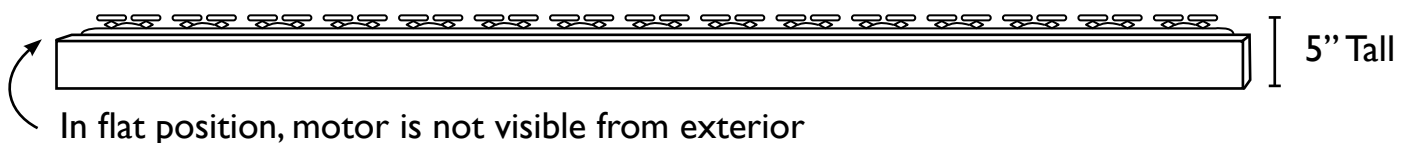


You may use your existing Box Spring or Slats with the Silverstar or Quattroflex suspensions. Leave your box spring or slats in place and put the new adjustable suspension on top.



Pictured above are the Silverstar MX2 (left) resting on box spring and metal frame, and the Quattroflex MX2 (right) resting on an existing bed frame with slats. These suspensions can also be placed on any flat surface, such as a platform bed.*

*NOTE: There is no need to remove old slats or the box spring because the Quattroflex and Silverstar motors have a low profile (see diagram below.) The motors are built into the frame of the adjustable suspension.



Silverstar and **Quattroflex** adjustable suspensions may also be installed using any of the three options described on pages 8-11.

ADJUSTABLE BED INSTALLATION OPTIONS

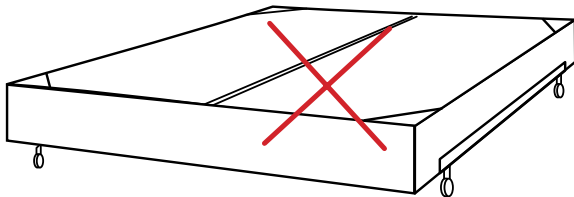
SPECIAL INSTALLATION FOR THE AUSTROFLEX SUSPENSION

The Austroflex suspension **cannot** be placed directly on a platform bed or box spring because of the location of the motor.

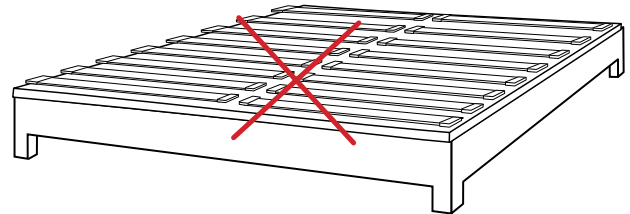


Motor needs 5" of vertical space below the bottom of side frame

Box Spring

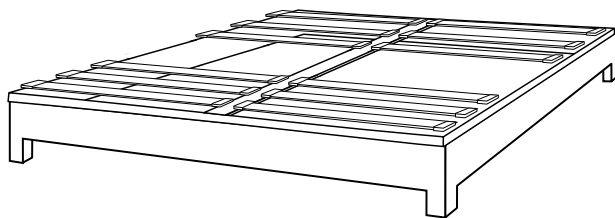


Bed Frame with Slats



Special Instructions for Austroflex Suspension in a Bed Frame with Slats

First, remove the Slats to make space for the Austroflex motor. Approximately 5 inches of vertical space and 56 inches of length is needed (see diagram below). Then place the Austroflex suspension on the slats.



Suspension with slats removed to make space for the Austroflex motor



Austroflex suspension installed on slat bed frame

Austroflex adjustable suspensions may also be installed using any of the three options described on pages 8-11.

Why not **Sleep** on the **Best?**



Axel Bloom LLC
1105 Gayley Avenue
Los Angeles
California 90024 USA
Phone: 1-866-696-8387